

Specialty Lubricants for Railway Traffic



LUBRICANTS.
TECHNOLOGY.
PEOPLE.



LUBRITECH
Special Application Lubricants

LUBRICANTS. TECHNOLOGY. PEOPLE.

FUCHS LUBRITECH – Special Application Lubricants

Within the FUCHS Group, we at FUCHS LUBRITECH are the experts for highly specialised applications. We develop, produce and distribute the world's leading branded products of our own. Our employees are committed to solving your challenges. We are there, with you and for you.



LUBRITECH

Special Application Lubricants

Facts and figures

Company: FUCHS LUBRITECH GmbH, part of the FUCHS Group, based in Kaiserslautern, Germany

LUBRITECH: the Special Application Lubricants Division of the FUCHS Group

Product range: LUBRITECH GROUP offers a full range of more than 1,000 special products, including food grade lubricants, adhesive lubricants, lubricating fluids and greases, pastes, solid film lubricants, concrete release agents, aerosols and metal-forming lubricants

Certifications: ISO 9001: 2008, ISO 21469, Halal, Kosher

FUCHS has developed, produced, and sold lubricants and related specialties for more than 80 years – for virtually all applications and sectors. With over 100,000 customers and 50 companies worldwide, the FUCHS Group is the world's leading independent lubricant supplier.

Within the FUCHS Group, **FUCHS LUBRITECH** is the expert for Special Application Lubricants. A team of more than 500 specialists around the world work to meet your needs. However demanding the application, we offer a specialised solution. Service is a crucial and fundamental component of our offering. Our experts offer on-site technical consultation to assure performance, efficiency and process reliability.

FUCHS LUBRITECH special lubricants stand for the highest performance and sustainability, safety and reliability as well as efficiency and cost savings. They represent a promise: **technology that pays back.**

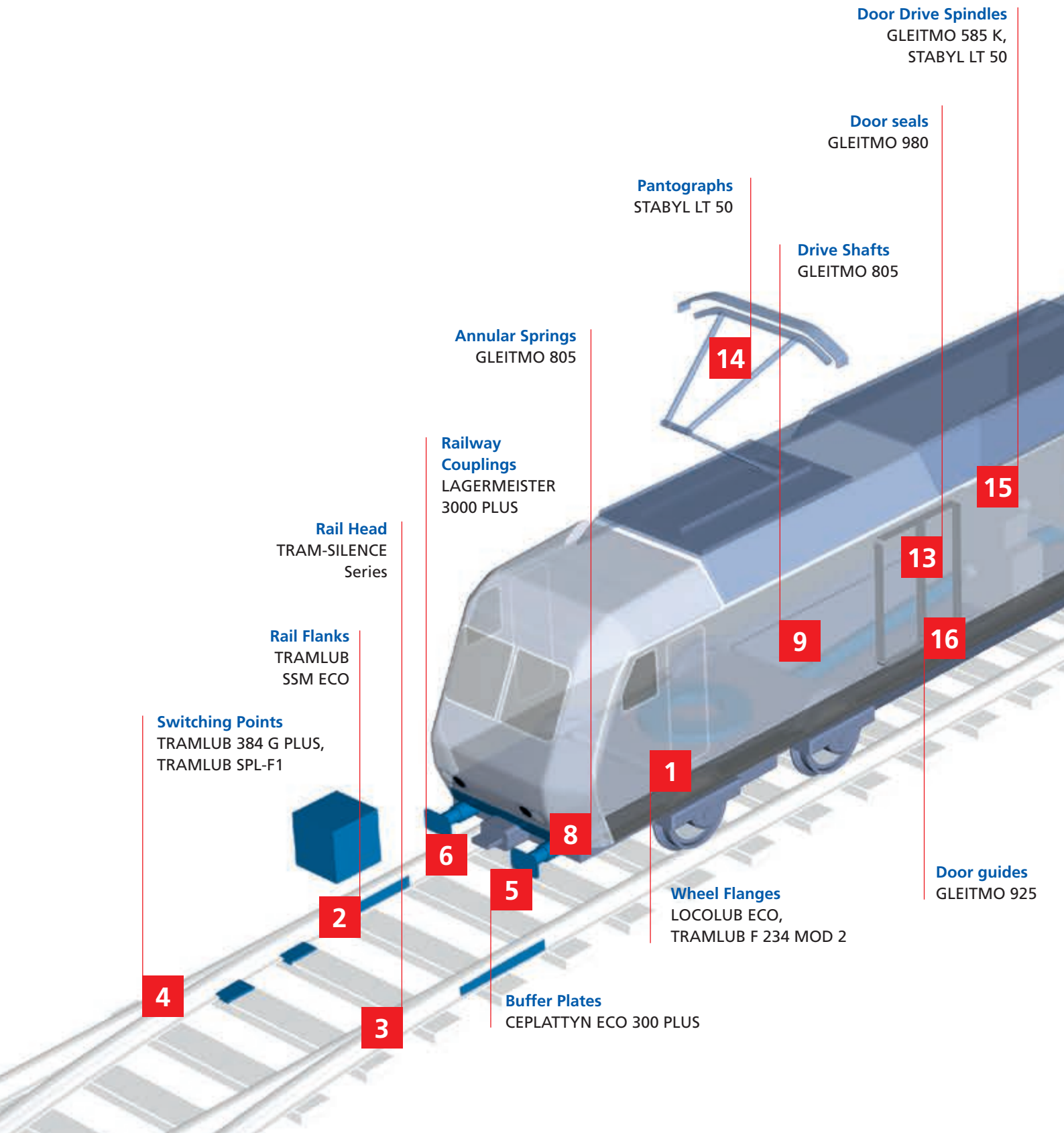
HIGH-PERFORMANCE LUBRICANTS FOR OPTIMUM SAFETY AND PERFORMANCE IN RAILWAY TRAFFIC

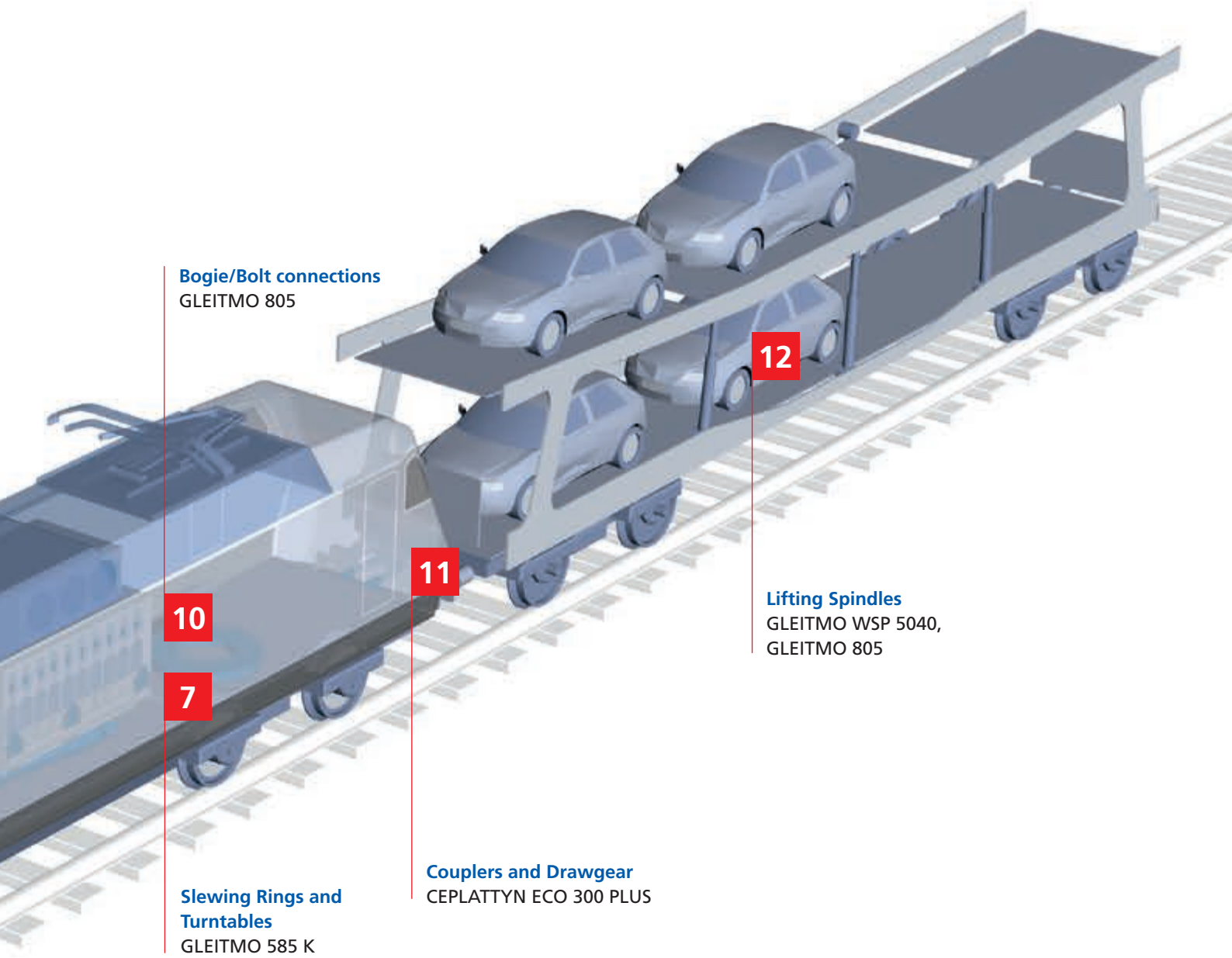
As one of the world's leading manufacturers, FUCHS LUBRITECH has been successful in the field of railway lubricants for many years. Customers benefit from our profound experience and knowledge in the lubrication of wheel flanges, rails and switches, extending as far as rail head treatment and the lubrication of buffer plates or coupling systems. Decisive for these applications are the technical performance of the lubricants as well as their biological degradability – two factors that we have concentrated on for years in the research and development of lubricants for rail traffic. Today, the product range encompasses the right lubricant for virtually all rail traffic applications. Our lubricants are used not only in Europe, but are also literally on the move in Asia, the Americas or Australia.

And our development continues – for continuously new solutions that protect equipment and environment and save costs.



The right lubricant for your application





The right lubricant for your application

Wheel flanges



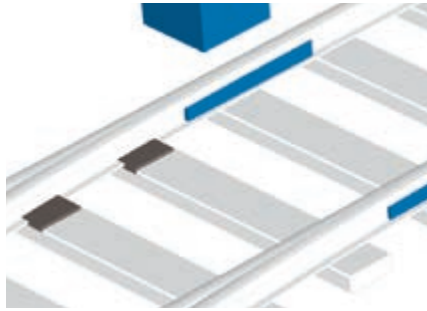
LOCOLUB ECO

LOCOLUB ECO considerably extends the service lives of wheels and rails and increases availability through lower maintenance requirements and/or extended service intervals. LOCOLUB ECO leads to lower life cycle costs for the customer.

- Unique performance – reduction in wear by up to 80% compared to conventional wheel flange lubricant
- Special solid lubricants guarantee pressure and shear stability of the separating film
- Increased safety – reduced risk of derailling
- Biodegradability
- Very good adhesion and spraying capability

Further products: TRAMLUB F 234 MOD 2, LOCOLUB ECO NSB, Spurkranzschmiere

Rail flanks

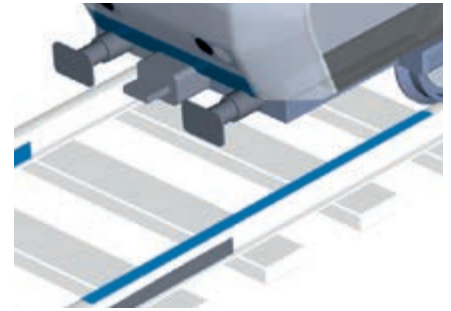


TRAMLUB SSM ECO

TRAMLUB SSM ECO is field-proven and has been approved by well-known customers. It can be processed with all stationary lubrication systems designed for consistent greases.

- Excellent lubrication performance and maximum wear protection ensure quiet operation and long service lives of wheels and rails
- Excellent adhesion and water resistance enable minimum consumption rates and a long-lasting lubricating effect
- Reliable operation due to outstanding low temperature characteristics in winter as well as high temperature and UV stability in summer
- Biodegradability

Rail heads



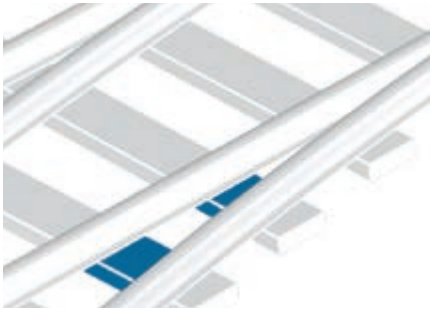
TRAM-SILENCE 00

TRAM-SILENCE products control the friction on the rail head and ensure quietness. They can be applied with a range of conventional wheel flange or rail lubrication systems, wherein even the minutest amounts lead to success.

- Safety through friction control
- Positive evaluations according to the BOStrab regulations are available
- Considerably reduces annoying squealing in curves
- Protects against wear and corrosion and prevents rippling
- Environmentally harmless
- Extremely economical in use
- Excellent adhesion, even on wet surfaces

Further products: TRAM-SILENCE

Switching points



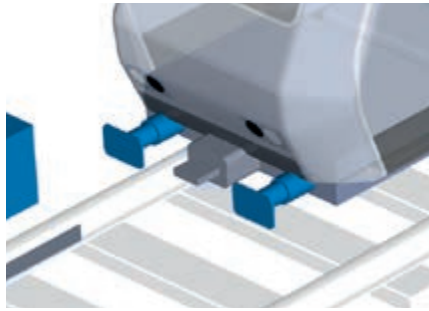
TRAMLUB 384 G PLUS

Switching points are among the most important and most sensitive elements on railways. TRAMLUB 384 G PLUS sets standards for this application in terms of corrosion protection, adhesion, cold weather suitability, penetrating capability and UV stability.

- Constantly low friction values and actuating forces
- Extension of relubrication intervals
- Outstanding protection against wear and corrosion
- Excellent adhesion, water resistance and UV resistance and at the same time excellent penetrating capability ensure smooth operation of the switching points
- Biodegradability

Further products: TRAMLUB SPL-F1, TRAMLUB RSM 000

Buffer plates



CEPLATTYN ECO 300 PLUS

CEPLATTYN ECO 300 PLUS is an environmentally harmless, fully synthetic adhesive lubricant with outstanding wear protection characteristics thanks to its special solid lubricant combination.

- Excellent pressure stability, even under changing loads
- Outstanding adhesion and water resistance
- High UV resistance
- Biodegradability

In addition, CEPLATTYN ECO 300 PLUS is also suitable for the lubrication of screwed joints, handbrake spindles or horn cheeks on railway vehicles.

Railway couplings



LAGERMEISTER 3000 PLUS

LAGERMEISTER 3000 PLUS is a semi-synthetic, heavy-duty EP lubrication grease, which is characterised by extreme water resistance, outstanding corrosion protection and excellent adhesion properties.

- Excellent resistance to washing out and off
- Openly accessible steel surfaces are protected effectively against corrosion
- Extension of relubrication intervals

LAGERMEISTER 3000 PLUS is suitable both for the protected areas of coupling systems, such as main bolts or crossing hubs, and for open parts such as sliding surfaces on the coupling head.

Solid Film Lubricants – The dry lubrication

Solid film lubricants are dispersions of selected solid lubricants in solutions of organic or inorganic binders in solvents. They are used preferentially where dry and clean lubrication is a must. Solid film lubricants are resistant to contamination, they protect against corrosion and lubricate even under extreme conditions (high and low temperatures, vacuum).

GLEITMO 980

Preserving agent and lubricant for door seals.

- User-friendly air-drying PTFE solid film lubricant for low coefficients of friction, with very good separating properties

GLEITMO 925

Water-based solid film lubricant for friction points and bearings where oil and grease are not desired.

- Resistant to solvents, mineral oil and synthetic liquids
- Solid lubricant combination of MoS₂ and graphite for the prevention of stick-slip, scuffing and cold welding
- For use on spindles and joint bolts



Effective Maintenance

Maintenance and repair of vehicles, machines and systems is a diverse field demanding considerable attention and flexibility. FUCHS LUBRITECH offers the complete workshop demand – products for assemblies, maintenance, care and repair.

Application area	Products
Bolt and joint lubrication, general grease lubrication	LAGERMEISTER 3000 Plus, LAGERMEISTER TS, LAGERMEISTER WHS 2002
Gearwheel lubrication	CEPLATTYN 300, CEPLATTYN ECO 300
Rust loosening and dewatering oils, fine lubrication	FERROFORM SUPER 7, FERROFORM ECO LOCC
Parting and preserving	GLEITMO 980, GLEITMO 985, GLEITMO SFL 9580
Assembly and screw lubrication	GLEITMO 100 S, GLEITMO 165, GLEITMO WSP 5040
Cleaning and corrosion protection	DECORDYN W, METABLANC, METABLANC ECO
Chain lubrication	STABYLAN G 1000, STABYLAN ECO W 10
Wire rope lubrication	CEDRACON, CEDRACON DS, CEDRACON K
Dry lubrication	GLEITMO 900, GLEITMO 961, GLEITMO 980

Further products on request. Subject to alteration.

Innovative lubricants need Experienced application engineers

Every lubricant change should be preceded by expert consultation on the application in question. Only then the best lubricant system can be selected. Experienced LUBRITECH engineers will be glad to advise on products for the application in question and also on our full range of lubricants.



Contact:



Global Headquarters
FUCHS LUBRITECH GmbH
Werner-Heisenberg-Strasse 1
67661 Kaiserslautern/Germany
Tel.: +49 (0) 6301 3206-0
info@fuchs-lubritech.de
www.fuchs.com/lubritech

The information contained in this product information is based on the experience and expertise of FUCHS LUBRITECH GmbH in the development and manufacturing of lubricants, and represents the current cutting edge. The performance of our products can be influenced by a series of factors, especially the specific use, the method of application, the operational environment, component pretreatment, possible external contamination, etc. For this reason, universally valid statements about the function of our products are not possible. Our products must not be used in aircraft/spacecraft or their components, unless such products are removed before the components are assembled into the aircraft/spacecraft. The information given in this product information represents general, non-binding guidelines. No warranty expressed or implied is given concerning the properties of the product or its suitability for any given application. We therefore recommend that you consult a FUCHS LUBRITECH GmbH application engineer to discuss application conditions and the performance criteria of the products before the product is used. It is the responsibility of the user to test the functional suitability of the product and to use it with the corresponding care. Our products undergo continuous improvement. We therefore retain the right to change our product range, the products and their manufacturing processes as well as all details of our product information sheets at any time and without warning, unless otherwise provided in customer-specific agreements. With the publication of this product information, all previous editions cease to be valid. Any form of reproduction requires express prior written permission from FUCHS LUBRITECH GmbH.