

The best solutions in **water treatment**





ZEOLIS is a new recycling water system, created to help our customers improve their water management at all levels.



ZEOLIS
THE BEST, BY NATURE



The power of ZEOLIS comes from the use of zeolites, a new filtration matter of volcanic origin, which is highly porous and has a density similar to that of water.

This revolutionary matter offers thorough filtration: the water flows through the unit in a completely uniform way, taking advantage of the whole filtration surface of the zeolite. An added bonus is that the high speed of filtration achieved means that the size of the units can be reduced considerably, giving maximum performance in the minimum space.

Respect for the environment and quality recycled water for your carwash equipment.

ZEOLIS



EFFICIENCY · SIMPLICITY · ENVIRONMENT · GUARANTEE



> ADVANTAGES AND NOVELTIES

- Thorough filtering without creating preferential channels inside the filter
- Improved reduction of solids in suspension and water turbidity
- Lower pressure loss compared to traditional filter materials
- High speed filtration, smaller units occupying less space
- New filter nozzles that distribute the water flow more evenly
- New ultra-reliable timer programming and more connection options
- A robust, easy-to-maintain unit

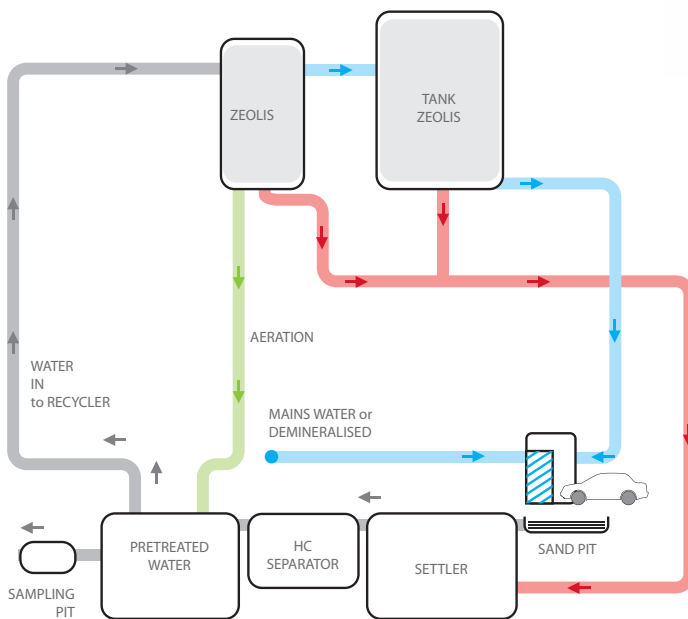
> **ZEOLIS** - Physical recycling

Model	Flow rate	Filter bottles
4RC1000	5 m ³ /h	1
4RC1000	10 m ³ /h	2
4RC1000	15 m ³ /h	3



4RC100

Physical recycling **flow chart**



* Recycling system conforms to European standards EN-858.1 and 858.2



ZEOLIS



> **BIOS** - Biological recycling

Model	Flow rate
4RB0100	6 m ³ /h

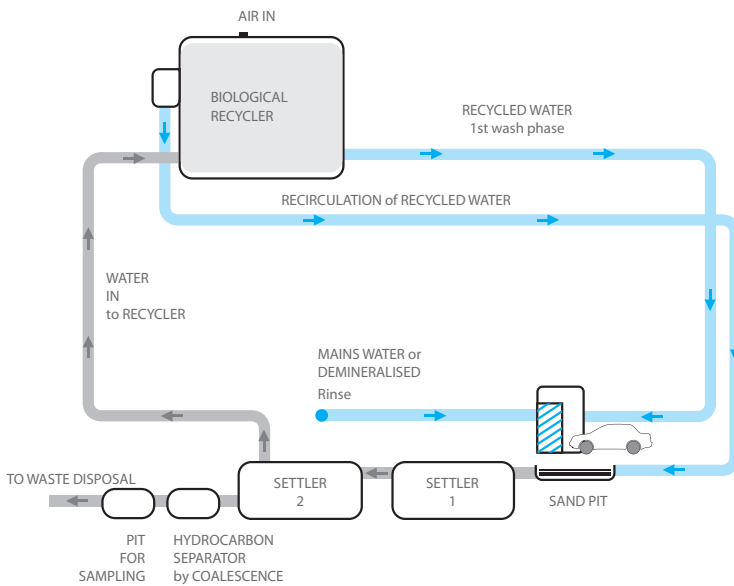
ADVANTAGES

- Wide spectrum of action against the usual contaminants in wash waste waters
- Integrated timer-controlled oxygenation to ensure the absence of foul smells
- Environment friendly: converts contaminants into heat, air and water without generating additional waste



4RB0100

Biological recycling **flow chart**



* Recycling system conforms to European standards EN-858.1 and 858.2

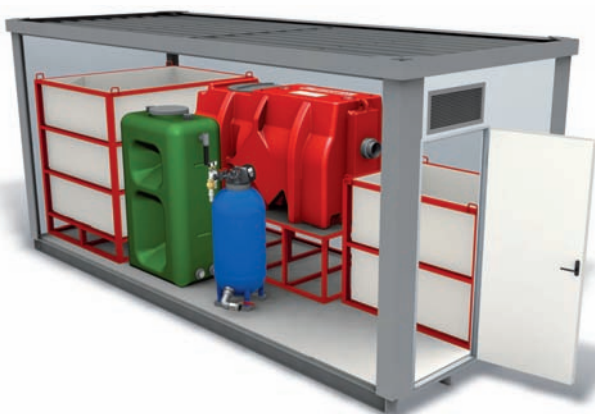
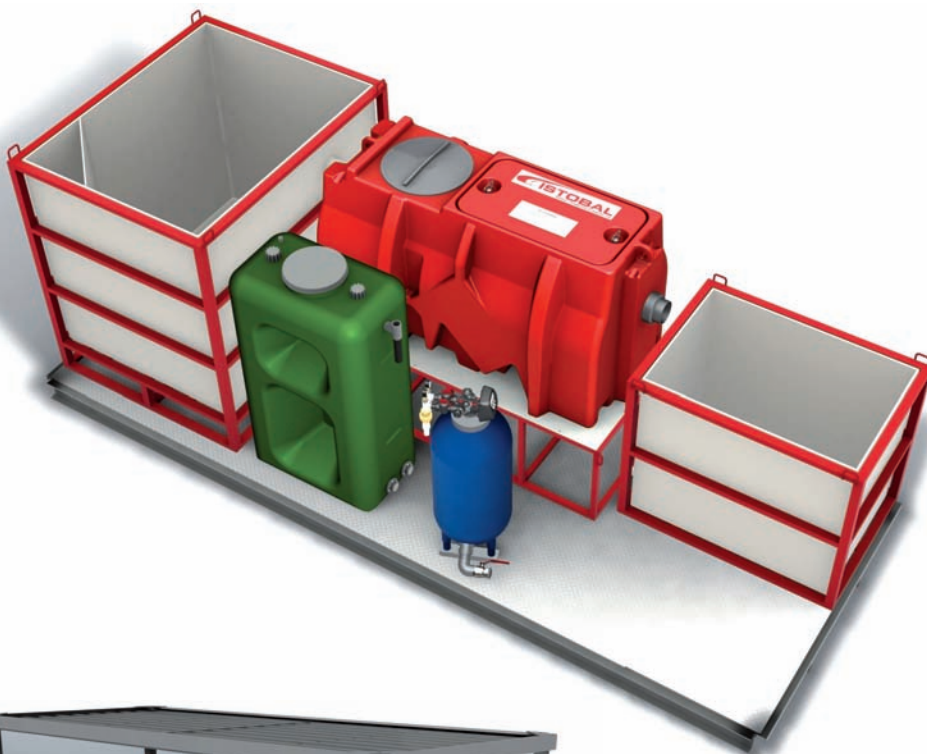


> ACUABOX - Mobile recycling container

ADVANTAGES

ACUABOX is designed to include the main recycling and waste stages in a standard size container (W 2.4 m x L 6 m x H 2.8 m) to avoid civil works on a wash facility

- The unit is ideal for facilities with a maximum water consumption of 5 m³/h and which need to reuse the residual water generated by the wash machines
- The stages included are:
 - Sedimentation and homogenization
 - Hydrocarbon separation (output of <5ppm of oils)
 - Physical recycler
 - Disinfection
 - Recycled water storage
- Maximum flow of water treatment during episodes of exceptional supply (torrential rain): 21m³/h
- No foul odours - includes aeration and disinfection units



LOW FLOWS

> DEMINERALISERS

ADVANTAGES

- Small-sized equipment, ideal for small plant rooms
- A wide range of pretreatments: even the worst quality water can be demineralised
- User-friendly, can be equipped with a direct scale-preventer metering pump
- Control panel with display facilitates and simplifies equipment control
- Sturdy construction in rustproof materials



Low Flow Demineraliser

SALINITY (TDS-ppm)	THROUGHPUT (m ³ / Dia)	MODEL	MEMBRANES
Up to 2,000	Up to 4 m ³ /day	4DA4000	1



MEDIUM FLOWS

> DEMINERALISERS

ADVANTAGES

- Membranes soaked in demineralised water to ensure a longer life and better performance
- Wide range of pretreatments to adapt to even the worst quality water and so protect the unit
- Option to increase production capacity by adding more membranes. This modularity means there is no need to buy new units
- User-friendly, can be equipped with a direct scale-preventer metering pump
- Control panel with display facilitates and simplifies equipment control
- Sturdy construction in rustproof materials
- Two models available based on water salinity

Medium Flow Demineralisers

Salinity up to 2,000 TDS-ppm

MODEL	THROUGHPUT (m ³ / Day)	MEMBRANES
4DA5000	4 - 6	1
	8 - 12	2
	12 - 18	3
	18 - 22	4

Salinity up to 6,000 TDS-ppm

MODEL	THROUGHPUT (m ³ / Day)	MEMBRANES
4DA6000	4 - 6	1
	8 - 12	2
	12 - 18	3
	18 - 22	4



4DA6000

> DISINFECTANT DISPENSERS

VENTAJAS

- Four different units for water disinfection, four alternatives to meet your needs
- Possibility of disinfecting all water types: recycled, demineralised, and stored well or mains water
- Ease of use and maintenance
- Total safety, water is always disinfected



4WPC0100



4DD0100

Dispensers

MODEL	PRODUCT DISPENSED	OBSERVATIONS
4WPB0300	Biocide	<ul style="list-style-type: none"> · Recommended for recycled water · Highly effective with bad smells · Weekly or fortnightly booster treatment
4WPC0100	Chlorine	<ul style="list-style-type: none"> · Dosing proportional to water flow rate · Recommended when accurate control of chlorine levels is not required
4WPC0200	Chlorine	<ul style="list-style-type: none"> · Continuous dosing based on chlorine threshold programmed · Recommended for drinking water and rainwater · Accurate control of chlorine level
4DD0100	Chlorine and pH regulator	<ul style="list-style-type: none"> · Continuous dosing based on chlorine threshold programmed · Recommended for recycled water · Accurate control of chlorine level

> DETERGENT DEGRADER BLOCK

ADVANTAGES

- Reduces detergent content in water recycling steps
- Formulated with especially selected microorganisms that degrade surfactants
- Improved quality of waste, recycling and wash waters



35AB100

> HYDROCARBON SEPARATOR

HC Separators

MODEL	FLOW RATE	DIMENSIONS
5060000	1,5 L/s	L 1,57 x W 1,18 x H 1,05 m
5060100	3 L/s	L 1,57 x W 1,18 x H 1,20 m
5060200	6 L/s	L 2,30 x W 1,18 x H 1,27 m
5060300	10 L/s	L 2,30 x W 1,18 x H 1,72 m
5WSH1000	15 L/s	L 2,30 x W 1,18 x H 1,72 m



5060200

ADVANTAGES

- Class I (less than 5 mg/L of hydrocarbons in waste after treatment) in compliance with European Standard EN 858 - 1:2002
- Made of polyethylene using the rotomolding process: does not absorb smells, no joints or welds, no parts liable to rust
- Light, easy to handle and install
- Designed for ease of cleaning and comfortable maintenance
- Has an automatic shutter



> SOFTENERS

ADVANTAGES

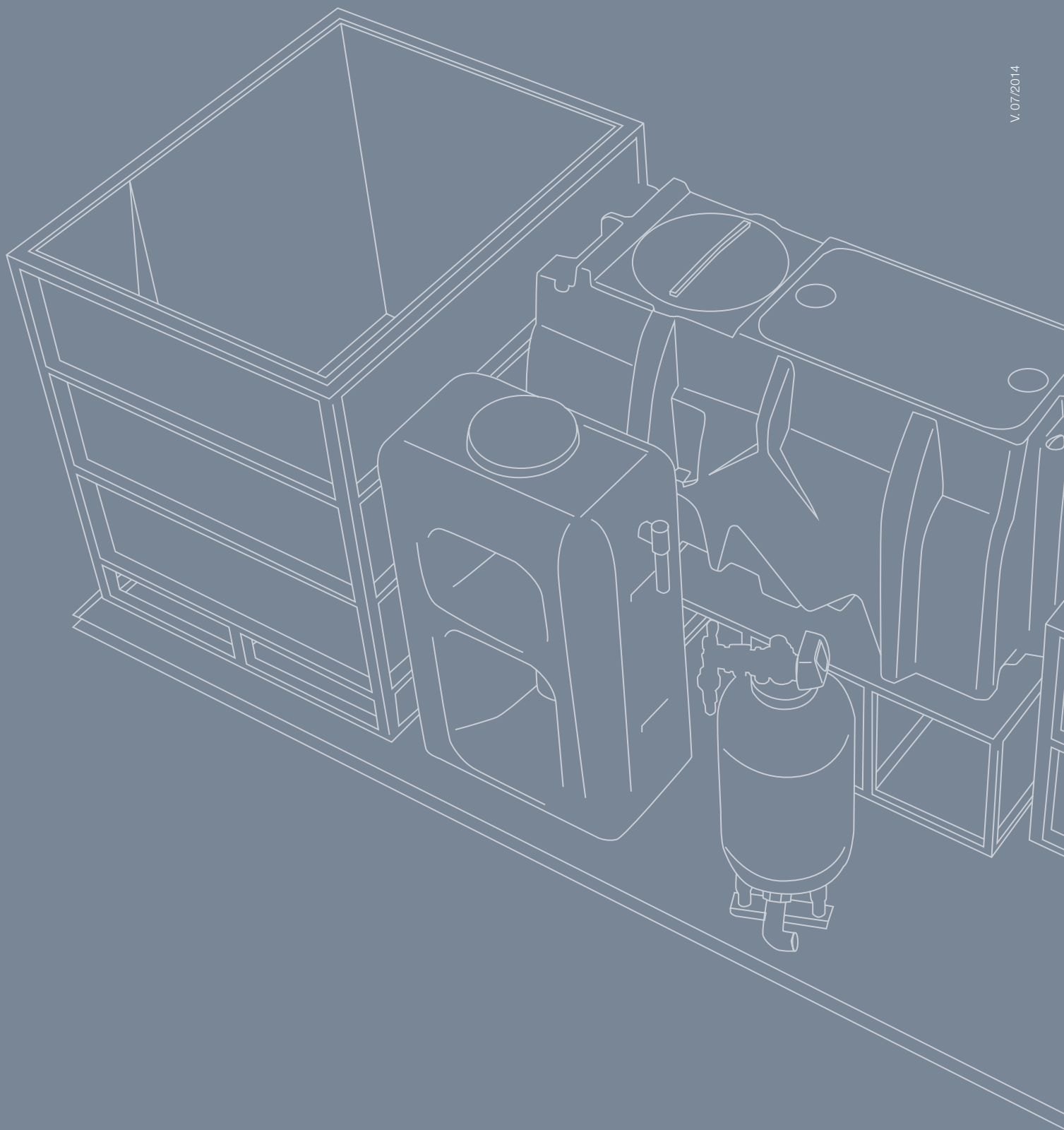
- Bottle made of glass fibre reinforced polyester
- Regenerating solution tank made of polyethylene
- Choice of programming instant or delayed regeneration

Softeners

MODEL	FLOW RATE	TYPE
RC061008	1,600 L/h	Duplex 2x40
RC061009	2,400 L/h	Duplex 2x60
RC061010	3,200 L/h	Duplex 2x80
RC061011	5,000 L/h	Duplex 2x125
4083500	2,500 L/h	Simplex, volumetric
4081100	3,000 L/h	Simplex, volumetric



4083500



ISTOBAL, S.A.

Avda. Conde del Serrallo, 10
46250 L'Alcúdia (Valencia) Spain

T +34 962997940 • **F** +34 962997991

istobal@istobal.com • **www.istobal.com**



ACREDITADO POR ENAC

ACREDITADO POR ENAC